

# GOING PLACES



## Web Site

[www.modelacolumbus.com](http://www.modelacolumbus.com)

## November/December 2014

Membership meetings are held on the 2<sup>nd</sup> Thursday of the month at the Sirloin Stockade in Columbus. The meetings are held September through May. The meal will be at 6:00 p.m. with the meeting following at 7:00 p.m.

## 2014 Officers

### President:

Ronnie Lawson  
Phone: 812-343-2434  
[ronlaw69@yahoo.com](mailto:ronlaw69@yahoo.com)

### Vice President:

Gerald Alexander  
Phone: 812-988-6949  
[Phaeton30@att.net](mailto:Phaeton30@att.net)

## President's Corner

We are back from our Fall Trip to Vermont, New Hampshire and Maine. We had 8 Model A's and 4 Geezer cars on the tour. What is a Geezer car? It is a car that is driven on a tour that is not a Model A. We have driven over 2700 miles on this tour. We did have a great tour and a special thanks to our Tour Master's Phil and Marge Sutton. We had 2 minor and 1 major break downs. The 2 minor were broken fan belts. The 1 major

## Secretary:

Jane Herbert  
Phone: 812- 663-4211  
[janeherbert@msn.com](mailto:janeherbert@msn.com)

## Treasurer/Tour Master:

Phil Sutton  
Phone: 812-336-8672  
[pgsutton@indiana.edu](mailto:pgsutton@indiana.edu)

## Board of Directors

Jack Sullivan, Jr.  
Phone: (812) 523-3674  
[roadsterman1929@yahoo.com](mailto:roadsterman1929@yahoo.com)

Nita Bridges  
Phone: 812- 445-3132  
[rjnbridges@frontier.com](mailto:rjnbridges@frontier.com)

Don Wesseler  
Phone: 812-663-6228  
[Wesseler10@yahoo.com](mailto:Wesseler10@yahoo.com)

## Web Master/Membership

Larry Riss  
Phone: 812-342-7644  
[risslarry@comcast.net](mailto:risslarry@comcast.net)

## Newsletter

Susan Riss  
Phone: 812-342-7644  
[susanriss@comcast.net](mailto:susanriss@comcast.net)

## Swap Meet Chairman

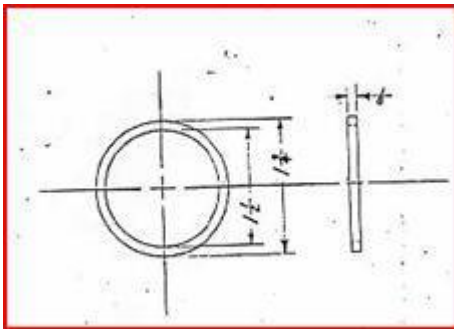
Larry Morlock  
Phone: 812-372-647  
[l.morlock@att.net](mailto:l.morlock@att.net)

was a timing gear that went out in Ms. Daisy. We were little over 100 miles from our destination of Gettysburg, PA when Ms. Daisy got tired. Ms. Daisy was hauled to our hotel at Gettysburg where she rested that night. The next day we performed surgery on her. I have heard rumors that you can get 15,000 to 25,000 miles out of a fiber timing gear on Model A's that are driven on long tours. Ms. Daisy had 23,000 long tour miles on hers. We put an aluminum timing gear back in

her. Thanks to Jack Sullivan Sr., Randy Hughey and Tim Howell; they got Ms. Daisy back on the road and she is in good health again.

This will be our last newsletter for the year. The next newsletter will be for Feb. 2015. I would like to thank everyone for their support and help this year. Another successful swap meet and lots of great tours made for a fun year. We still have the Christmas Party coming up and hope to see you there.

### What is it from October newsletter?



Dimensions are for the Cylinder Oil Return Pipe Gasket.

### This Month's "What is it?"



### Minutes of October 16 Meeting

The October 16, 2014 meeting was called to order by Ron Lawson, president. Welcomed 25 members.

Welcomed new members Dan Hagemier and his wife Carolyn, owners of a 1930 Roadster. Secretary's report was read by Jane Herbert with one correction.

Treasurer's report given by Roy Whiteman in Treasurer Phil Sutton's absence:

Starting balance:	\$2891.94
Income:	\$14.00
Expenses:	\$0.00
Ending balance:	\$2905.94

Old business:

To commemorate International Model A Day Jane Herbert passed out 15 patches to those who drove their cars in Sept.

Christmas Party: Dec. 13 at Pines in Seymour, at 5 pm. Members pay \$10 each and club treasurer will pay rest of bill. A vote was taken for the club to pay this bill; Jack Sullivan Sr. made motion, Whitey Herbert seconded; vote carried.

New business:

Election of officers at Nov. meeting.  
Board meeting Oct. 23, 7pm at Riss' home.

Special dates:

If you drove for International Model A Day contact Jane for participation patch.

Oct. 18 Ford Motor Co Assembly Plant Centennial. 10 am Ford Motor Co.

Oct. 18 Wine tour with Risses

Oct. 25 Fall Foliage tour with Jack and Kathryn Sullivan, 9:30 meet in Seymour go to Leavenworth for lunch, and nice drive,

50/50 drawing of \$14.50 went to Marge Schmeckebier.

Kathryn Sullivan read some humorous and meaningful things for all of us in life and traveling.

Wayne Brown has several cars for sale, 2 Model A's among his collection, contact Wayne if you are interested.

Ron Lawson presented some interesting information about Noblett Sparks-Arvin in Columbus who manufactured Model A parts. Meeting adjourned, motion made by Wayne Arnholt, seconded by Whitey Herbert.

Respectfully submitted,  
Jane Herbert, Secretary

### **September 11 Meeting Minutes**

The September 11, 2014 meeting was called to order by Ron Lawson, president. Welcomed 28 members. Member Tom Bruce's mother passed away.

Secretary's report read and approved.

Treasurer's report given by Phil Sutton:

Starting balanced:	\$3464.78
Income:	\$64.29
Expenses:	\$637.13
Ending balance:	\$2891.94

Communications:

Laps for Charity, Kentucky Speedway September 9-18. Chance to ride around the track, for a fee.

Old business:

Profit from National Meet \$4800 went to Gilmore Museum in MI

Anyone one going to Nationals in Niagara Falls must get passports ahead of time if you want to get into Canada.

Note of change: October Meeting is change to Oct. 16, same time, same place-one time only. Next board meeting Oct. 23, 7 pm, Riss' house.

New business:

Sept 19 and 20 Larry Morlock leading a group to Gilmore Museum.

Sept 13 official Drive Your Model A Day-if you drove them or in a group in Sept Contact Jane Herbert for a patch to commemorate the day.

Sept 21-24 MARC National Tour Cary, NC

Sept 27 Hanover Beach tour with Herberts

Oct 8-11 Hershey

Oct 11 Ethnic Expo Columbus

Oct 18 Wine tour with Risses

Oct 25 Fall Foliage tour with Jack and Kathryn Sullivan

Roy Whiteman reported on Elnora Engine Show trip. Rex Bridges ran out of gas. Several attended from the club.

Phil drew his own ticket, fair and square, \$14 for 50/50 raffle.

Meeting dismissed.

Phil dug into some old slides and presented an interesting slide show of 1980s trips.

### **Patches for Model A Day!**

Contact Jane Herbert if you celebrated Model A day by driving your "A" at any time in September. She has patches for you to commemorate the occasion. They will be available at the November meeting.

### **Membership Meeting and Election of Officers**

The second Thursday of the month is November 13. This will be our last meeting of the year, and we will be voting for our officers. Our nominations so far are: Ronnie Lawson, President, Gerald Alexander, Vice President; Jane Herbert, Secretary; Phil Sutton, Treasurer; Board of Directors include: Nita Bridges, Don Wessler, and Jack Sullivan, Jr. The floor will be open for further nominations at the meeting.

Please attend and vote and also consider running for one of these positions—it would be much appreciated!

### **November 7, 2014 7am-3pm**

The Dayton Buckeye Model A Ford Club is hosting their 36th Annual Indoor and Outdoor Swap Meet at Boose Chevrolet, 575 Arlington Rd., Brookville, Ohio.

### **December 13, Sunday**

#### **Holiday Party**

(Lawson)

The party is at the Pines Restaurant, 4289 U.S. 31, Seymour, IN 47274 at 5:00pm. Cost is \$10/member. The club will pay the difference.

We will be taking reservations and money at the November 13, 2014 meeting. You can send a check to Ronnie Lawson, 16120 E. 265 N., Columbus, IN 47203. Make checks payable to Columbus Model A Restorers Club. Your reservations and money must be in by November 30, 2014.

### **In the Rearview Mirror**

#### **Fall Wine Tasting Tour**



One Model A (Riss) and two regular cars (Nita Bridges and Connie and Gary Lawless) met at West Hill parking lot at 11:45 am. Our first stop was at Brown County Winery, where we had fun with the wine tasting and then headed out by back roads to find some of the artist's shops, but having no luck on that, we continued on to Mallow Run. Their fall festival was in full swing and included a bluegrass band along with food and, of course, wine. Because the weather had turned cold and rainy, we found a nice warm table inside where we enjoyed our wine with our cheese and fruit platter and our nice hot chili.

--Susan Riss

### **Ethnic Expo Parade (Lawless, Riss)**

October 11 turned out to be a great day for a parade. We arrived at Mill Race Park around 9:30am with plenty of time to find our staging area and use the bathrooms before the parade started at 11am. It was cool, but dry, good crowds, and the Model A's were a big hit because everyone loved the horns! It was also a good test for the new brakes on the Riss A.

--Susan Riss

### **Best Wishes**

Our good wishes are being sent to Susan Lawson, who is recovering from a fall. We hope she will be feeling better soon.

### **Reminder: January Membership Meeting**

The first membership meeting of the new year will be Thursday, January 8, at 6pm, at the Sirloin Stockade in Columbus.

### **Board Meeting**

The next board meeting will be in January on Thursday Jan. 15. Place and time to be determined by the joint board.

### **MARC Increases Dues**

MARC dues for 2015 will be \$40, and will be on the bill in the MARC magazine.

